

## Universal Joint UG

Group: 1342

### Application

Universal connection for attachment to non-horizontal components. May be fixed directly to building surfaces, Beam Clamps, channels, etc. Typical uses would include easy on-site manufacture of various tie rod assemblies to support brackets, or reinforcement struts for sliding and fixed point applications (UG FP types are specifically designed for assembly for pipe clamp wings for fixed point constructions).

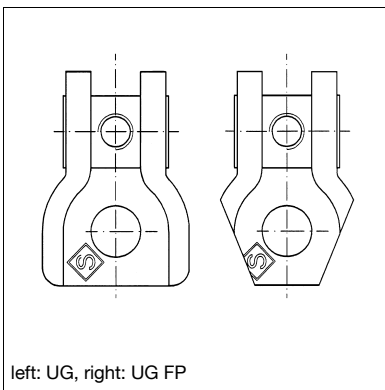
- ◆ Infinitely variable angle adjustment
- ◆ Length and height adjustment via rotation of the grub screw in the threaded pivot head
- ◆ Securely retained threaded pivot head
- ◆ Secure attachment of nut on the adapter plate.

### Configuration

With adapter plate and locking nut.

### Installation

Screw the grub screw completely into the pivot head (visual control). Fix the adjusted angle by tightening the supplied nut against the adapter plate.



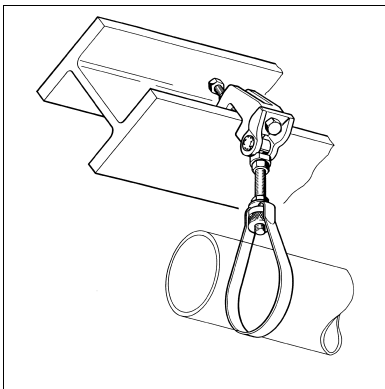
### Technical Data

Type	Working load [kN]	Adapter plate Ø DA [mm]	Nut
UG M8	5.8	10.5	Flange nut
UG M10	8.0	10.5	Flange nut
UG M12	13.0	16.5	Flange nut
UG M16	13.0	16.5	Hexagon nut
UG FP M12	13.0	16.5	Hexagon nut
UG FP M16	13.0	16.5	Hexagon nut

Material: Steel, electro-galvanised (versions M8 and M10)  
Malleable cast iron, electro-galvanised (versions M12 and M16)

### Approvals

VdS Approval G4980055 for types UG M8 to UG M16.



Type	Pivot head	A [mm]	B [mm]	Ø D [mm]	L [mm]	W [kg]	Quantity/ [pack]	Part number
UG M8	M 8	26	40	10.5	51	0.18	50	<b>198636</b>
UG M10	M10	26	40	10.5	51	0.12	50	<b>198643</b>
UG M12	M12	33	50	17.0	71	0.37	25	<b>158075</b>
UG M16	M16	33	50	17.0	71	0.36	25	<b>158084</b>
UG FP M12	M12	33	50	17.0	71	0.32	25	<b>158093</b>
UG FP M16	M16	33	50	17.0	71	0.31	25	<b>158109</b>

