

Cantilever Bracket AK

Group: 1354 / 2754

Application

Ready-to-use brackets mainly for mounting pipes to walls.
For further options, e.g. double-versions see chapter "HCP Products"

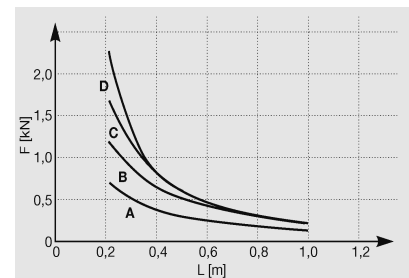
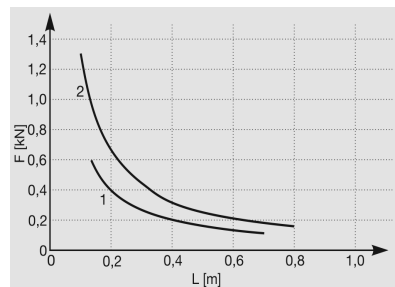
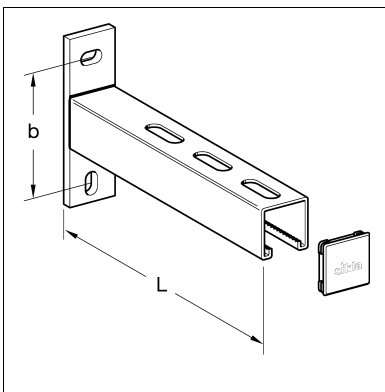
Installation

When used in combination with slide elements, a Tie Rod is absolutely essential for absorbing the forces running along the centre line of the pipe.
For cantilever lengths ≥ 500 mm we recommend the integration of a prop-up (see drawing below).

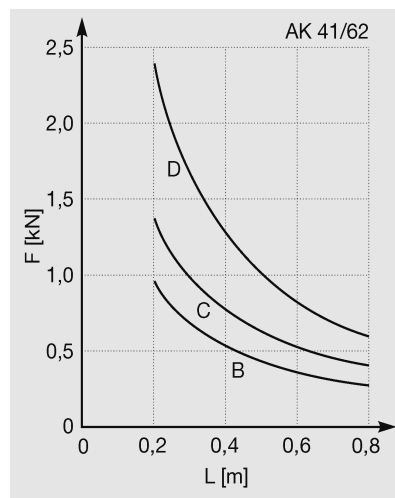
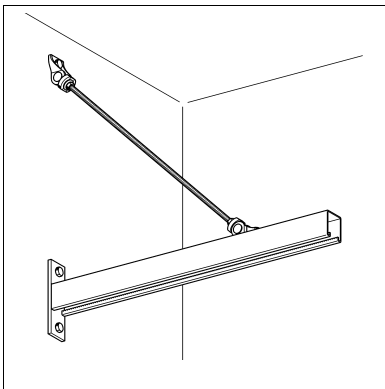
Technical Data

1 = Type 27/25
2 = Type 27/37

Type 41/41

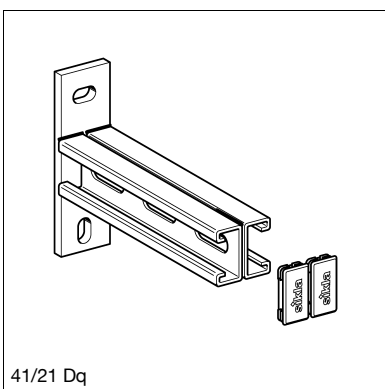
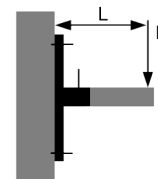


Type 41/62



Anchor load classes

A = 1.5 kN
B = 2.5 kN
C = 3.5 kN
D = 6.0 kN



41/21 Dq

$\sigma_{\text{perm}} \leq 160 \text{ N/mm}^2$
 $f_{\text{perm}} \leq L/150$ for $L > 450$ mm
 $f_{\text{perm}} \leq 3$ mm for $L \leq 450$ mm

Material: Steel, electro-galvanised, Type Dq = HCP

Type	L [mm]	Wall plate [mm]	b [mm]	Dimensions of elongated hole [mm]	W [kg]	Quantity [pack]	Part number
27/25 - 200	203	88 x 30 x 6	64	10 x 15	0.25	25	112326
27/25 - 250	253	88 x 30 x 6	64	10 x 15	0.29	25	112327
27/25 - 300	303	88 x 30 x 6	64	10 x 15	0.34	25	112328
27/25 - 500	503	88 x 30 x 6	64	10 x 15	0.49	25	112329
27/25 - 700	703	88 x 30 x 6	64	10 x 15	0.65	1	112330
27/37 - 300	304	88 x 30 x 6	64	10 x 15	0.43	25	111458
27/37 - 500	504	88 x 30 x 6	64	10 x 15	0.64	25	111459
27/37 - 700	704	88 x 30 x 6	64	10 x 15	0.84	1	111460
27/37 - 800	804	88 x 30 x 6	64	10 x 15	0.96	1	111461
41/41 - 200	196	134 x 40 x 8	100	13 x 18	0.68	10	115609
41/41 - 260	258	134 x 40 x 8	100	13 x 18	0.81	10	153973
41/41 - 320	321	134 x 40 x 8	100	13 x 18	0.92	10	115618
41/41 - 445	446	134 x 40 x 8	100	13 x 18	1.16	10	115627
41/41 - 570	571	134 x 40 x 8	100	13 x 18	1.41	10	115636
41/41 - 820	821	134 x 40 x 8	100	13 x 18	1.89	1	149268
41/41 - 1010	1008	134 x 40 x 8	100	13 x 18	2.25	1	149277
41/62 - 320	321	134 x 40 x 8	100	13 x 18	1.42	10	113296
41/62 - 445	446	134 x 40 x 8	100	13 x 18	1.76	10	113297
41/62 - 570	571	134 x 40 x 8	100	13 x 18	2.25	10	113298
41/62 - 820	821	134 x 40 x 8	100	13 x 18	3.05	1	113299
41/62 - 1010	1008	134 x 40 x 8	100	13 x 18	3.59	1	113300
27/25 q - 300	303	88 x 30 x 5	64	10 x 15	0.34	25	112366
41/21 Dq - 320	321	134 x 40 x 8	100	13 x 18	1.20	10	180164
41/21 Dq - 570	571	134 x 40 x 8	100	13 x 18	1.95	10	190424